

# AUTOMATIC GUIDED VEHICLE

Smart Warehouse Equipment



Scan for Website



**High  
Precision**



**Real Laser  
SLAM**



**Good  
Applicability**



**Lithium  
Battery**



**Advanced  
Technology**

Shigemitsu AGV or stands for Automatic Guided Vehicle is a means of transportation to move an item/material, which is controlled automatically using navigation or remote control which can later move along a predetermined path until it reaches its destination. This tool is very helpful and facilitates the work of lifting goods/materials, especially in the warehouse.

# TABLE OF CONTENT

PAGE  
**01-02**

**Automatic  
Guided Vehicle**

TYPE  
**SSFL-L14**

PAGE  
**03-04**

**Automatic  
Guided Vehicle**

TYPE  
**SSFL-KD14**

PAGE  
**05-06**

**Automatic  
Guided Vehicle**

TYPE  
**SSFL-MP20**

PAGE  
**07-08**

**Automatic  
Guided Vehicle**

TYPE  
**SSFL-KPD15-T**

PAGE  
**09-10**

**Automatic  
Guided Vehicle**

TYPE  
**SSMF-MP10S**

# AUTOMATIC GUIDED VEHICLE

Smart Warehouse Equipment



### High Precision

Shigemitsu Automatic Guided Vehicle is equipped with advanced features so that it will be very precise in doing its job.



### Real Laser SLAM

Shigemitsu Automatic Guided Vehicle is no reflector and easy to use with advanced SLAM laser navigation.



### Pallet Recognition

Shigemitsu AGV uses Pallet Recognition sensors for more accurate and controllable sensors.



### Flexible Dispatching

Shigemitsu Automatic Guided Vehicle has a very flexible delivery time that can be done at any time.



### Lithium Battery

Shigemitsu Automatic Guided Vehicle uses a Lithium Battery with a large capacity and durable.

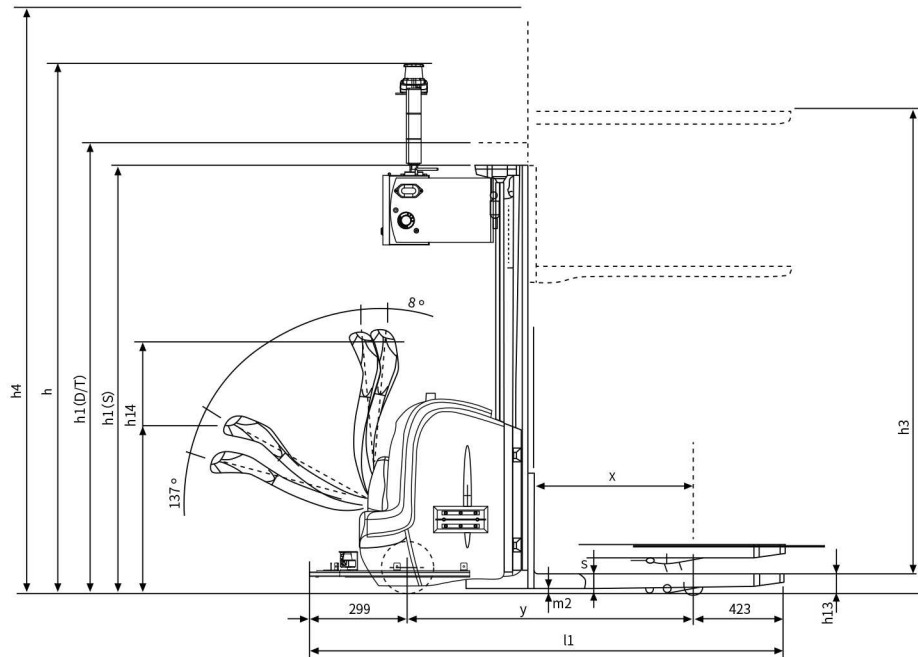


CAPACITY  
**1400**  
KILOGRAMS



Shigemitsu AGV or stands for Automatic Guided Vehicle is a means of transportation to move an item/material, which is controlled automatically using navigation or remote control which can later move along a predetermined path until it reaches its destination. This tool is very helpful and facilitates the work of lifting goods/materials, especially in the warehouse.

## Dimension (mm)



## Specification

Manufacturer	LINDE Group Manufacturer
Model Designation	SSF-L14
Power Unit	Lithium Iron Phosphate Battery
Operation	Laser Navigation/Walking Navigation
Rated Load Capacity (Q)	1400kg
Load Center (C)	600mm
Axle Centre to Fork Face (X)	727mm
Wheelbase (Y)	1378mm
Service Weight (including battery)	1200kg
Axle Load With Load, Drive/Load Side	1006/1594kg
Axle Load Without Load, Drive/Load Side	870/330kg
Auxiliary Wheel (size)	140x55mm
Track Width (drive side)	530mm
Track Width (load side)	500mm
Total Height (H)	2270mm
Mast Retracted Height (H1)	1910mm
Battery (ACC ICE STA)	3Prz 270
Battery Voltage/Rated Capacity (5h)	24V/270Ah
Battery Weight	252kg

# AUTOMATIC GUIDED VEHICLE

## SSFL-KD14

Smart Warehouse Equipment



### High Precision

Shigemitsu Automatic Guided Vehicle is equipped with advanced features so that it will be very precise in doing its job.



### Real Laser SLAM

Shigemitsu Automatic Guided Vehicle is no reflector and easy to use with advanced SLAM laser navigation.



### Comprehensive Defense

Equipped with Laser Obstacle avoidance, Bumper, Proximity sensor, and 3D Camera - 360° protection.



### Flexible Dispatching

Shigemitsu Automatic Guided Vehicle has a very flexible delivery time that can be done at any time.

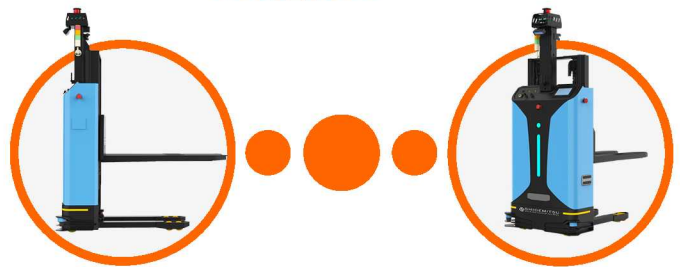


### Universal for Narrow Aisle

Shigemitsu AGV has a slim body and small gyration radius, very suitable for application on narrow roads.

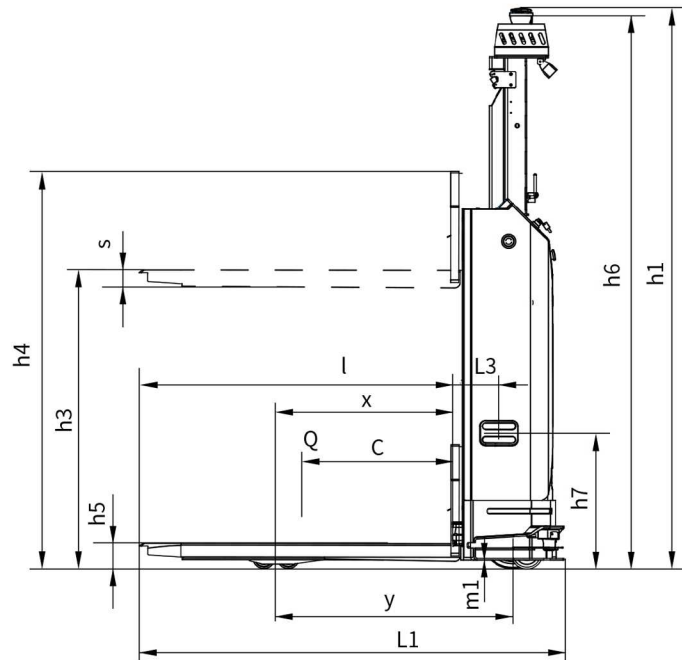


CAPACITY  
**1400**  
KILOGRAMS



Shigemitsu AGV or stands for Automatic Guided Vehicle is a means of transportation to move an item/material, which is controlled automatically using navigation or remote control which can later move along a predetermined path until it reaches its destination. This tool is very helpful and facilitates the work of lifting goods/materials, especially in the warehouse.

## Dimension (mm)



## Specification

Manufacturer	Shigemitsu
Model Designation	SSFL-KD14
Power Unit	Electric
Operation	Telecontrol/Laser Navigation
Rated Load Capacity (Q)	1400kg
Load Center (C)	600mm
Axle Centre to Fork Face (X)	648mm
Wheelbase (fork raised/lowered) (Y)	877mm
Service Weight (including battery)	680kg
Axle Load With Load, Drive/Load Side	730/1350kg
Axle Load Without Load, Drive/Load Side	450/230kg
Tyre, Operator/Load Side: Rubber(R), Polyurethane(PU)	Polyurethane
Wheels Number, Drive/Load Side (X=Driven)	1x-2/4
Track Width, Drive Side (B10)	380/500mm
Track Width, Drive Side (B11)	538mm
Mast Retracted Height (H1)	2040mm
Mast Expansion Height	2130mm
Battery Type	Lithium Iron Phosphate
Battery Voltage/Rated Capacity (5h)	24V/180Ah
Battery Weight	58kg

# AUTOMATIC GUIDED VEHICLE

## SSFL-MP20

Smart Warehouse Equipment



### Heavy Load

Shigemitsu Automatic Guided Vehicle is designed to carry heavy loads and has a large capacity.



### Real Laser SLAM

Shigemitsu Automatic Guided Vehicle is no reflector and easy to use with advanced SLAM laser navigation.



### Comprehensive Defense

Equipped with Laser Obstacle avoidance, Bumper, Proximity sensor, and 3D Camera - 360° protection.



### Flexible Dispatching

Shigemitsu Automatic Guided Vehicle has a very flexible delivery time that can be done at any time.

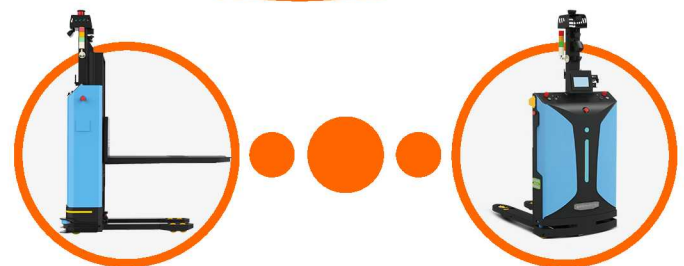


### Universal for Narrow Aisle

Shigemitsu AGV has a slim body and small gyration radius, very suitable for application on narrow roads.

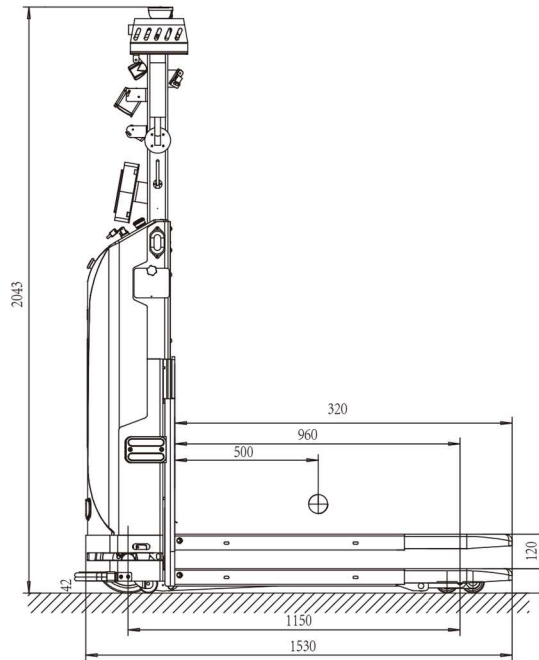


CAPACITY  
**2000**  
KILOGRAMS



Shigemitsu AGV or stands for Automatic Guided Vehicle is a means of transportation to move an item/material, which is controlled automatically using navigation or remote control which can later move along a predetermined path until it reaches its destination. This tool is very helpful and facilitates the work of lifting goods/materials, especially in the warehouse.

## Dimension (mm)



## Specification

<b>Manufacturer</b>	Shigemitsu
<b>Model Designation</b>	SSFL-MP20
<b>Power Unit</b>	Electric
<b>Operation</b>	Automatic Guided Vehicle
<b>Rated Load Capacity (Q)</b>	2000kg
<b>Load Center (C)</b>	500mm
<b>Axle Centre to Fork Face (X)</b>	960mm
<b>Wheelbase (fork raised/lowered) (Y)</b>	1150mm
<b>Service Weight (including battery)</b>	557kg
<b>Axle Load With Load, Drive/Load Side</b>	942/1615kg
<b>Axle Load Without Load, Drive/Load Side</b>	340/217kg
<b>Tyre, Operator/Load Side: Rubber(R), Polyurethane(PU)</b>	Polyurethane
<b>Wheels Number, Drive/Load Side (X=Driven)</b>	1x-2/4
<b>Track Width, Drive Side (B10)</b>	365mm
<b>Track Width, Drive Side (B11)</b>	610mm
<b>Mast Retracted Height (H1)</b>	2043mm
<b>Mast Expansion Height</b>	2130mm
<b>Battery Type</b>	Lithium Iron Phosphate
<b>Battery Voltage/Rated Capacity (5h)</b>	24V/180Ah
<b>Battery Weight</b>	58kg



# AUTOMATIC GUIDED VEHICLE

## SSFL-KPD15-T

Smart Warehouse Equipment



### Support Various Pallets

Shigemitsu Automatic Guided Vehicle Available to tian-shape pallets and chuan-shape pallets.



### Real Laser SLAM

Shigemitsu Automatic Guided Vehicle is no reflector and easy to use with advanced SLAM laser navigation.



### Comprehensive Defense

Equipped with Laser Obstacle avoidance, Bumper, Proximity sensor, and 3D Camera - 360° protection.



### Flexible Dispatching

Shigemitsu Automatic Guided Vehicle has a very flexible delivery time that can be done at any time.

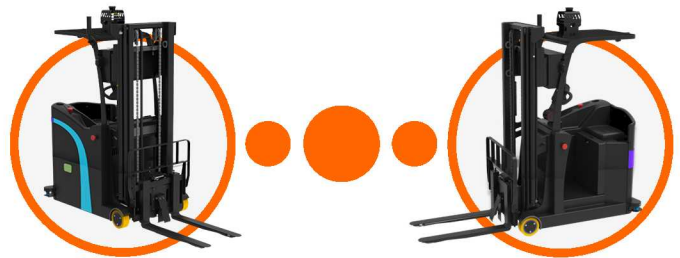


### Automatic Charging

Shigemitsu AGV is equipped with automatic battery charging when the power runs out.

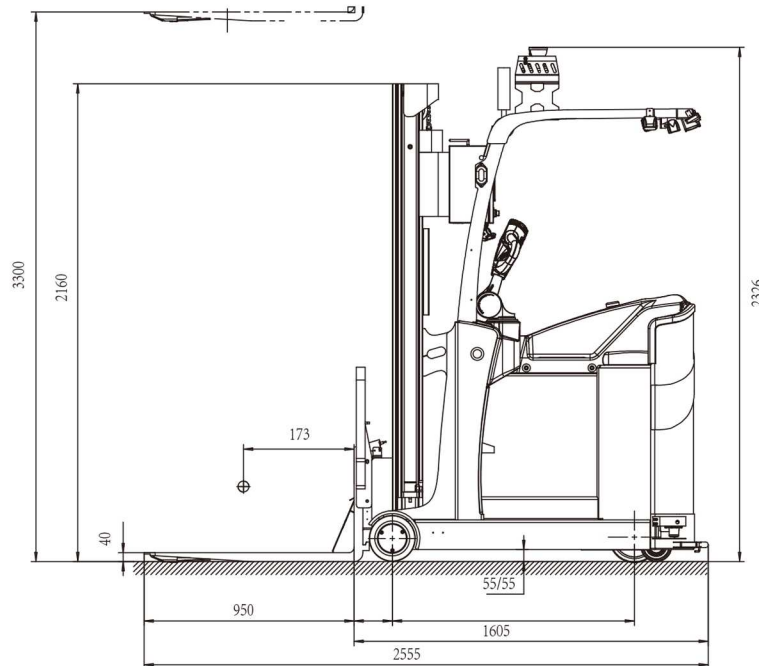


CAPACITY  
**1500**  
KILOGRAMS



Shigemitsu AGV or stands for Automatic Guided Vehicle is a means of transportation to move an item/material, which is controlled automatically using navigation or remote control which can later move along a predetermined path until it reaches its destination. This tool is very helpful and facilitates the work of lifting goods/materials, especially in the warehouse.

## Dimension (mm)



## Specification

Manufacturer	Shigemitsu
Model Designation	SSFL-KPD15-T
Rated Load Capacity (Q)	1500kg
Load Center (C)	500mm
Motor (AC\DC, Open/Close)	DC/Close
Standard Lifting Height (H3)	3300mm
Service Weight (including battery)	2325kg
Fork CARR Standard	IS02328
Standard Fork Size (length/width/thick)	110x40x950mm
Fork Spacing, Max/min (B3)	1750/215 (including 560/600)mm
Total Length (L1)	2555mm
Body Length (without fork) (L2)	1605mm
Total Width (B1)	1150mm
Mast Expansion Height (H4)	4208mm
Overhead Height (including navigation laser) (h5)	2326mm
Minimum Turning Radius (Wa)	1510+200mm
Minimum Right Angle Aisle Width	1870+200mm
Battery Type	Solder Type
Battery Voltage/Capacity	24V/270Ah
Battery Weight	230kg

# AUTOMATIC GUIDED VEHICLE

## SSMF-MP10S

Smart Warehouse Equipment



### Customized Laser Height

The original location of the navigation lidar is replaced with the obstacle avoidance lidar.



### Accurate Obstacle Avoidance

Shigemitsu AGV uses a 3D obstacle camera that can avoid objects and obstacles accurately.



### Pallet Recognition

Shigemitsu AGV uses Pallet Recognition sensors for more accurate and controllable sensors.



### More Reliable Anti-collision System

Shigemitsu AGV anti-collision feature to locate the underbody and sensors for staff safety.



### Automatic Charging

Shigemitsu AGV is equipped with automatic battery charging when the power runs out.

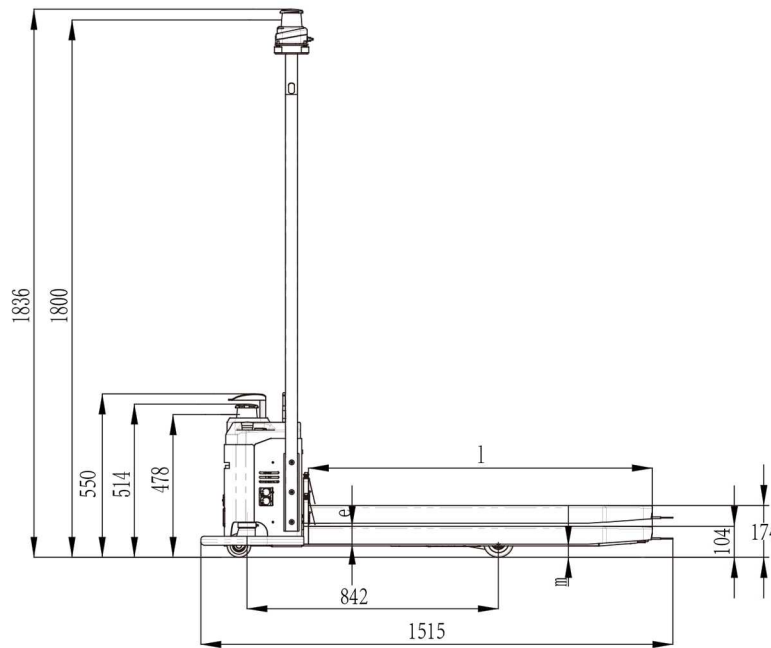


CAPACITY  
**1000**  
KILOGRAMS



Shigemitsu AGV or stands for Automatic Guided Vehicle is a means of transportation to move an item/material, which is controlled automatically using navigation or remote control which can later move along a predetermined path until it reaches its destination. This tool is very helpful and facilitates the work of lifting goods/materials, especially in the warehouse.

## Dimension (mm)



## Specification

Drive Method	Differential/Wheel
Model Designation	SSMF-MP10S
Maximum Load	1000kg
Dimension (L*W*H)	1585mm*885mm*1836mm
Weight (with battery)	210kg
Load Center Distance	600mm
Wheelbase	842mm
Minimum Turning Radius	1035mm
Fork Size (width/thickness/length)	186mm*60mm*1154mm
Lifting Height of Fork	70mm
Maximum Lowering Height of Fork	104mm (Optional 84mm)
Width of Fork (outside)	570mm
Minimum Ground Clearance	40mm (Optional 20mm)
Body Color	Blue+Black
Wired Network	RJ45 Interface *1
WiFi	Inside Moxa AWK-1137C
Battery Capacity	48V 35Ah
Endurance	≥ 8h
Charging Time	0-80% : 2h
Charging Method	Manual/Automatic (with automatic charging piles)
Battery Charge and Discharge Cycles	>1000
The Number of Navigation Lasers	(Sick nanoScan3/Pepperl + Fuchs R2000-HD)

# INDOTARA®

PT. INDOTARA PERSADA

## Our Marketing Office and After Sales Service Center

### Head Office

50/F, Menara BCA Grand Indonesia  
Jl. M.H. Thamrin No.1  
Jakarta Pusat 10310

021 - 5011 2224

dhe@indotara.id



### Semarang Office

Wisma HSBC Lt. 6 Suite 609  
Jl. Gajah Mada No.135  
Semarang, Jawa Tengah 50134

024 - 40 33 88 99

smg.dhe@indotara.id



### Marketing Office

Graha Kencana Building, Lt.10 Suite 10F  
Jl. Raya Perjuangan No. 88,  
Kebon Jeruk - Jakarta Barat 11530

021 - 5011 2224

dhe@indotara.id



### Medan Office

Sutomo Tower Lantai 5H  
Jl. Sutomo Ujung No.28,  
Kota Medan, Sumatera Utara 20235

061 - 50 300 600

mdn.dhe@indotara.id



### Graha Indotara

Millenium Industrial Estate  
Jl. Millenium 22 Blok R3 No. 1  
Cikupa, Tangerang - Banten 15720

021 - 5011 2224

dhe@indotara.id



### Makassar Office

Fajar Graha Pena Lt. 5  
Jl. Urip Sumoharjo No. 20,  
Makassar - South Sulawesi 90234

021 - 5011 2224

mks.dhe@indotara.id



### Bandung Office

Wisma HSBC Lt. 6 Suite B  
Jl. Asia Afrika No. 116  
Bandung, Jawa Barat 40112

021 - 5011 2224

bdg.dhe@indotara.id



### Balikpapan Office

Panin Tower Lt. 8 - Grand Sudirman  
Jl. Jendral Sudirman No.7 Klandasan Ilir,  
Balikpapan Kota, Kalimantan Timur 76114

021 - 5011 2224

bpp.dhe@indotara.id



### Surabaya Office

Bumi Mandiri Tower I Lt. 10 Suite 1008  
Jl. Jend. Basuki Rachmat 129-137  
Surabaya 60271

031 - 3313 3333

sby.dhe@indotara.id



### Bali Office

Benoa Square Lt. 2  
Jl. Bypass Ngurah Rai No. 21 A Kedonganan,  
Kuta Badung - Bali Indonesia 80361

021 - 5011 2224

bali.dhe@indotara.id



### Yogyakarta Office

Hartono Mall Yogyakarta Lt. 3  
Kaliwaru, Condongcatur,  
Sleman, Yogyakarta 55281

021 - 5011 2224

yog.dhe@indotara.id



### Singapore Office

MBFC Tower 3  
17F, 12 Marina Boulevard  
Singapore - 018982

021 - 5011 2224

sing.dhe@indotara.id

